

## Wickelkopf - family

winding head - family

### WO 94/28562

28.05.1993

#### country

JP Japan  
US Vereinigte Staaten von Amerika

### EP 0700575

28.05.1993

#### country

AT Österreich  
CH Schweiz  
DE Deutschland  
ES Spanien  
FR Frankreich  
GB Großbritannien  
IT Italien  
LI Lichtenstein  
NL Niederlande

#### (57) Abstract

A device for producing a wire coil winding (33) on a winding support (32) with a winding head having a wire guide device (16) and being movable in relation to the winding support (32), in which there are, besides the wire guide device (16), a wire connecting device (17) and a separation device (18) as further integral units of the winding head (10).

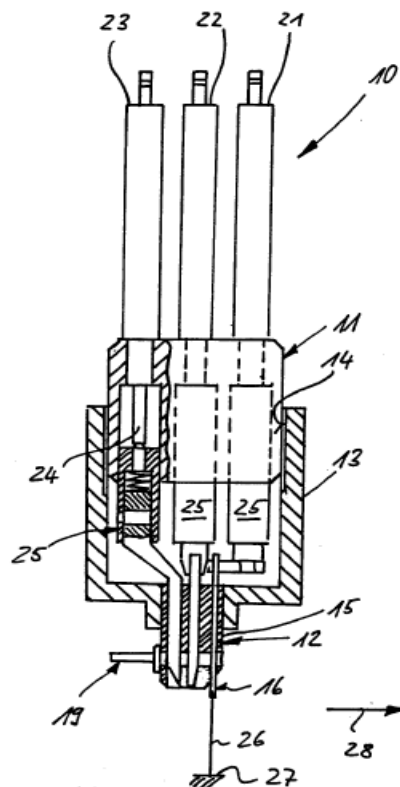


FIG. 1